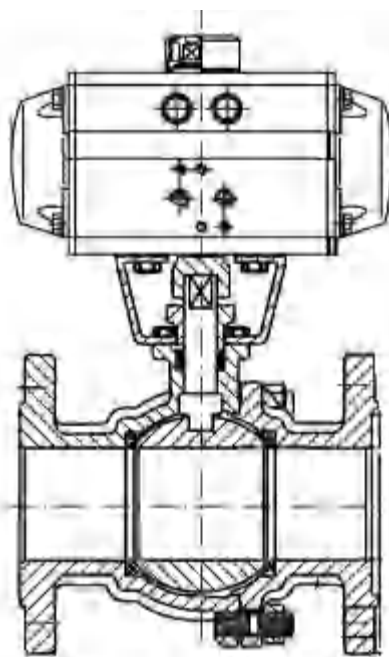


STANDARD SPECIFICATION

CHUANHU

气动法兰球阀

**Pneumatic ball valve**



上海川沪阀门有限公司

ShangHai Chuanhu Valve CO.,LTD

## 概述

球阀具有极优切断性能。当阀门全开时其流路和管道内径基本相同，流体压力损失极小，因此最适合于各种液体、气体、料浆等流体的切断控制。

## GENERAL

Ball valve has very excellent shut-off function. When all open it flows the road similar to path inside the piping basically, the fluid pressure lose smallest, so it is the most suitable for shut-off control of various liquid, air, slurry etc.

## 标准规格 STANDARD SPECIFICATION

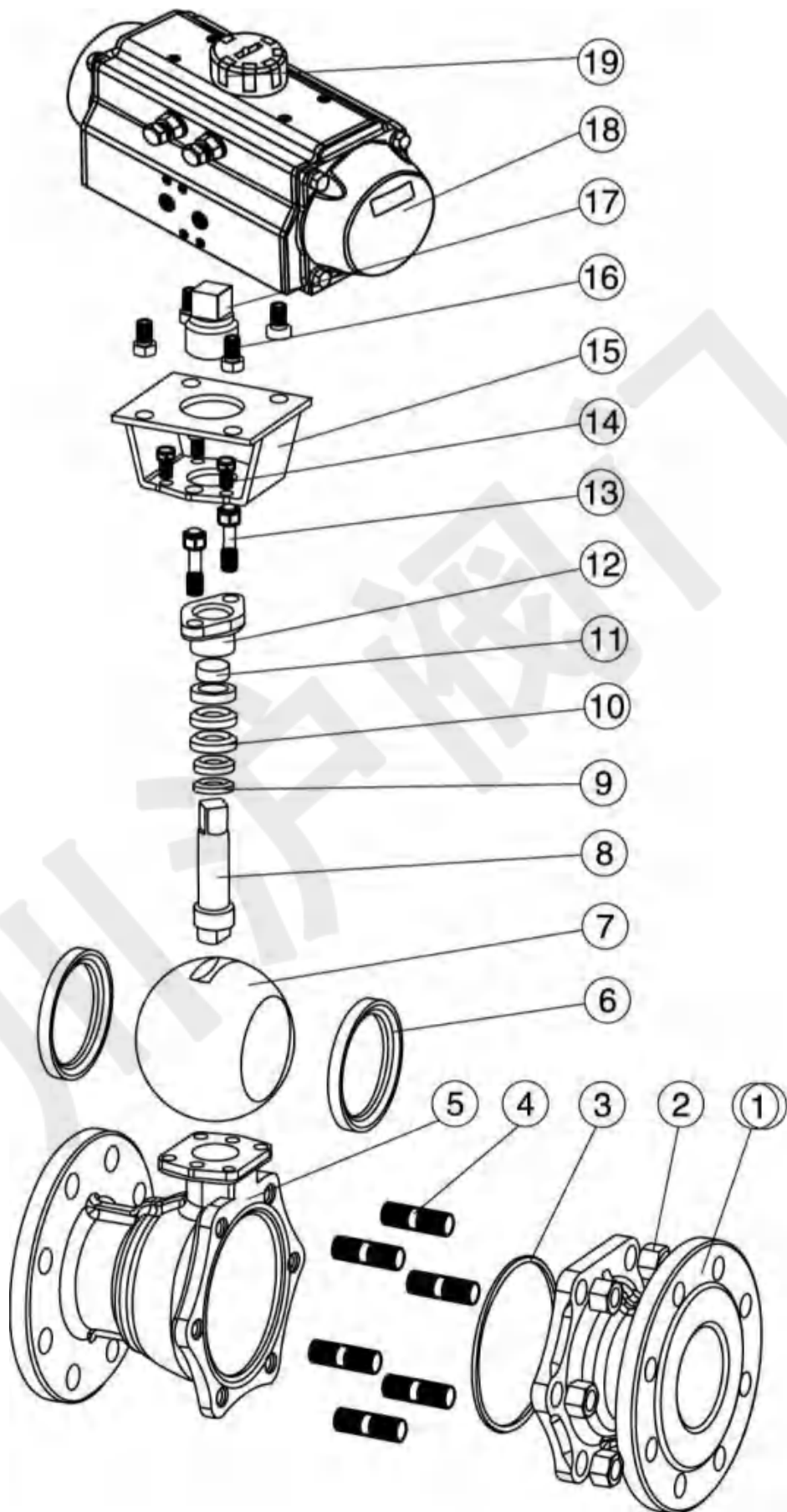
公称通径 Body size	DN15~300
公称压力 Body ratings	PN1.6,4.0,6.4,10.0; ANSI Class 150,300,600; JIS 10K,30K,40K
尺寸标准 Dimension standard	国标、美标、日标 GB, American standard, Japanese standard
阀体材质 Body material	碳钢 Carbon steel(WCB), 不锈钢 Stainless steel(CF8, CF8M, CF3, CF3M)
阀座材质 Seat material	聚四氟乙烯 (F)、对位聚苯 (PPL)、尼龙 (N)、硬质合金 (H、Y) PTFE, PPL, N, H, Y
作用方式 Mode of action	双作用、单作用 (弹簧复位) Double-acting/Single-acting type(spring reposition)
控制方式 Control	开关型、调节型 Switch type, Adjust type
附件选择 Selection of Accessories	电磁阀、定位器、限位开关、气源三联件、手动机构 Solenoid valve, Locator, Limit switch, F.R.L. COMBINATION UNIT, Manual Device

设计依据 Design Basis	GB 标准 Standard
设计标准 Design standard	GB/12237
结构长度 Face to face dimension	法兰 连接 Flange Connecting
连接法兰尺寸 Connecting Flange Size	GB/12221
试验和检验 Test & inspection	GB/9113. JB/T79
	GB/T13927. JB/T9092

※注：系列球阀结构长度及连接法兰尺寸可根据用户要求设计制造。

Note: The structural length and connecting flange size of ball valve series can be designed and manufactured as per users' requirements.

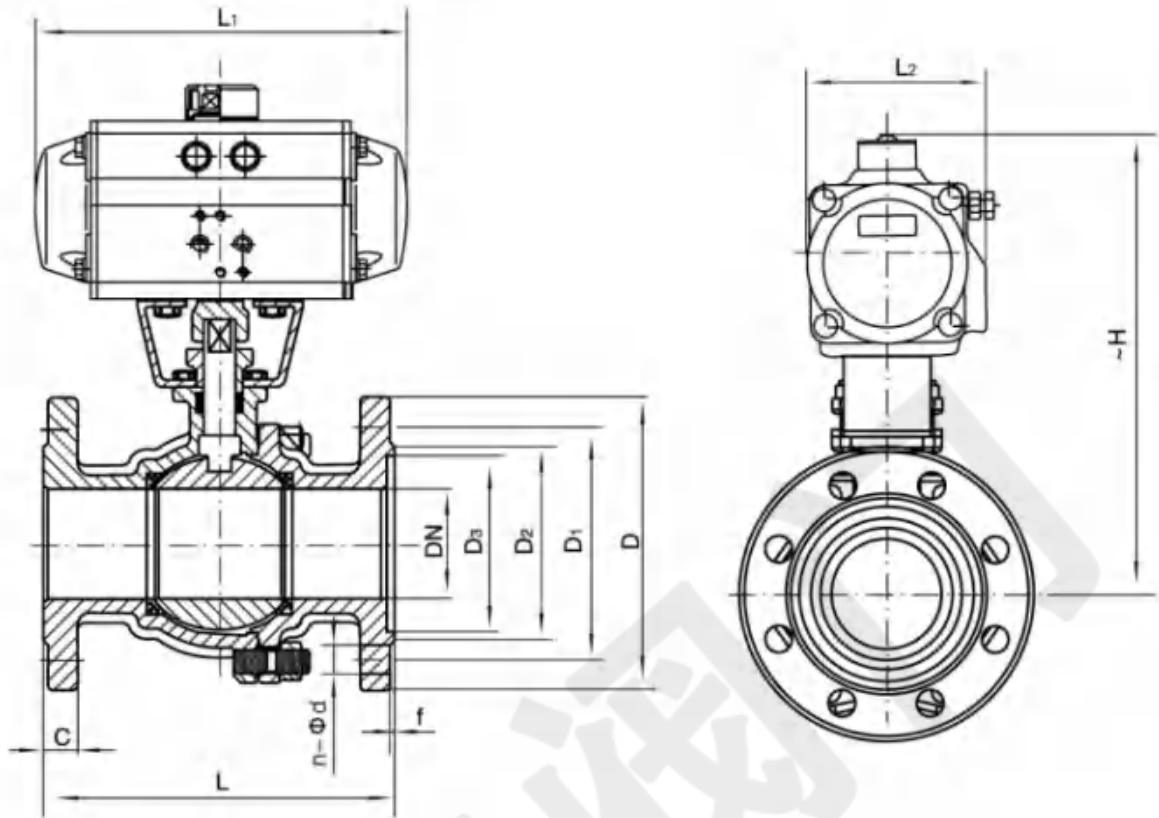
结构图和零件材质表 STRUCTURE AND MAIN MATERIAL TABLE



序号 No	零件名称 Name of parts	材质 Material		
		C	P	R
1	右阀体 Right valve	WCB	ZGICr18Ni9Ti	ZGICr18Ni12M02Ti
2	螺母 Nut	35	1Cr18Ni9Ti	1Cr18Ni9Ti
3	垫片 Gasket	PTFE、石墨金属复合垫 Graphite metal composite pad		
4	螺栓 Screw	35	1Cr18Ni9Ti	1Cr18Ni9Ti
5	阀体 Body	WCB	ZGICr18Ni9Ti	ZGICr18Ni12M02Ti
6	阀座 Seat	PTFE、尼龙(Nylon)、对位聚苯(PPL) 硬质合金 Hard Alloy		
7	球体 Ball	1Cr18Ni9Ti	1Cr18Ni9Ti	1Cr18Ni12M02Ti
8	阀杆 Stem	1Cr13	1Cr18Ni9Ti	1Cr18Ni12M02Ti
9	垫片 Gasket	1Cr18Ni9Ti	1Cr18Ni9Ti	1Cr18Ni12M02Ti
10	填料 Packing	PTFE、柔 石墨 Flexible G raphite		
11	衬套 Bushing	PTFE 复合轴承 Composite bearings		
12	压盖 Gland	WCB	ZGICr18Ni9Ti	ZGICr18Ni12M02Ti
13	螺栓 Screw	35	1Cr18Ni9Ti	1Cr18Ni9Ti
14	螺栓 3CreW	35	1Cr18Ni9Ti	1Cr18Ni9Ti
15	连接支架 Connecting Yoke	1Cr18Ni9Ti	1Cr18Ni9Ti	1Cr18Ni9Ti
16	螺栓 3CreW	35	1Cr18Ni9Ti	1Cr18Ni9Ti
17	连接套 Connecting Set	35	1Cr18Ni9Ti	1Cr18Ni9Ti
18	气动装置 Pneumatic Device	AT 系列、AW 系列 AT Series、AW Series		
19	位置指示器 Location Indicator	塑料 Plastic		

※注：系列球阀结构长度及连接法兰尺寸可根据用户要求设计制造。

Note: The structural length and connecting flange size of ball valve series can be designed and manufactured as per users' requirements.

**主要外形及连接法兰尺寸 MAIN OUTLINE AND CONNECTING FLANGE SIZE**

**PN16(1.6MPa) Dimension**

公称直径 Nominal diameter DN	外形尺寸 Outline Size				连接尺寸 Connecting size						执行器型号 Actuator Model
	L	L1	L2	-H	D	Di	D2	c	f	n-φd	
15	130	141/159	71/83	204/235	95	65	46	14	2	4-14	AT050D/AT063S
20	140	141/159	71/83	209/240	105	75	56	16	2	4-14	AT050D/AT063S
25	150	159/211	83/95	214/256	115	85	65	16	2	4-14	AT063D/AT075S
32	165	159/248	83/107	257/277	140	100	76	18	2	4-18	AT063D/AT088S
40	180	211/248	95/107	274/292	150	110	84	18	3	4-018	AT075D/AT088S
50	200	248/269	107/123	290/300	165	125	99	20	3	4-18	AT088D/AT100S
65	220	248/315	107/141	310/335	185	145	118	20	3	4-18	AT088D/AT115S
80	250	269/345	123/152	346/368	200	160	132	20	3	8-18	AT100D/AT125S
100	280	345/409	152/172	378/410	220	180	156	22	3	8-18	AT125D/AT145S
125	320	409/550	172/215	425/450	250	210	184	22	3	8-18	AT145D/AT190S
150	360	550/600	215/240	468/531	285	240	211	24	3	8-22	AT190D/AT210S
200	400	600/633	240/262	583/618	340	295	266	24	3	12-22	AT210D/AT240S

**PN25(2.5MPa) Dimension**

公称通径 Nominal diameter DN	外形尺寸 Outline Size				连接法兰尺寸 Connecting Flange Size						执行器型号 Actuator Model
	L	L1	L2	-H	D	D1	D2	c	f	n-φd	
15	130	141/159	71/83	204/235	95	65	46	14	2	4-14	AT050D/AT063S
20	140	141 门 59	71/83	209/240	105	75	56	16	2	4-14	AT050D/AT063S
25	150	159/211	83/95	257/265	115	85	65	16	2	4-14	AT063D/AT075S
32	165	211/248	95/107	269/287	140	100	76	18	3	4-18	AT075D/AT088S
40	180	248/269	95/107	282/292	150	110	84	18	3	4-18	AT075D/AT088S
50	200	248/345	107/123	290/325	165	125	99	20	3	4-18	AT088D/AT100S
65	220	269/345	107/152	310/357	185	145	118	22	3	8-18	AT088D/AT125S
80	250	345/409	152/172	346/368	200	160	132	24	3	8-18	AT125D/AT145S
100	280	345/438	152/187	418/443	235	190	156	24	3	8-22	AT125D/AT160S
125	320	438/550	187/215	460/503	270	220	184	26	3	8-26	AT160D/AT190S
150	360	550/600	215/240	518/563	300	250	211	28	3	8-26	AT190D/AT210S
200	400	633/730	262/330	583/618	360	310	274	30	3	12-26	AT240D/AT270S

**PN40(4.0MPa) Dimension**

公称通径 Nominal diameter DN	外形尺寸 Outline Size				连接法兰尺寸 Connecting Flange Size							执行器型号 Actuator Model
	L	L1	L2	-H	D	Di	D2	D3	c	f	n-φd	
15	130	141/159	71/83	204/235	95	65	46	40x4	14	2	4-14	AT050D/AT063S
20	140	159/211	83/95	240/252	105	75	56	51x4	16	2	4-14	AT063D/AT075S
25	150	211/248	95/107	257/265	115	85	65	58x4	16	2	4-14	AT075D/AT088S
32	180	211/248	95/107	269/287	140	100	76	66x4	18	3	4-18	AT075D/AT088S
40	200	248/269	107/123	282/292	150	100	84	76x4	18	3	4-18	AT088D/AT100S
50	220	248/315	107/141	300/325	165	125	99	88x4	20	3	4-18	AT088D/AT115S
65	250	269/345	123/152	335/357	185	145	118	110x4	22	3	8-18	AT100D/AT125S
80	280	345/409	152/172	368/400	200	160	132	121x4	24	3	8-18	AT125D/AT145S
100	320	409/438	172/187	418/506	235	190	156	150x4.5	24	3	8-22	AT145D/AT160S
125	400	550/600	215/240	445/548	270	220	184	176x4.5	26	3	8-26	AT190D/AT210S
150	400	600/633	215/262	563/598	300	250	211	204x4.5	28	3	8-26	AT210D/AT240S
200	502	730	330	636/666	375	320	284	260x4.5	34	3	12-30	AT270D

※注：系列球阀结构长度及连接法兰尺寸可根据 JB/T79 标准或用户要求设计制造。

※注：数据 XXX/XXX 分别是气动执行器双作用式 / 单作用式（弹簧复位）。

※注：根据不同阀门扭矩、使用介质适配的执行器型号可能有所不同，相关尺寸随之变化。

※注：以上执行器配置及数据均采用软密封(F、N、P)阀门，硬密封阀门的配置及数据请咨询本公司。

Note: The structural length and connecting flange size of ball valve series can be designed and manufactured as per JB/T79 standard or users' requirements

Note: Data XXX/XXX represent respectively the double-acting/single-acting type (spring reposition) of pneumatic actuator

Note: The relative sizes are subject to change responding to the difference in valve torque, medium and actuator model

Note: the above actuator configuration and data all use soft-sealed valves (F,N,P) and hard-sealed valves, or consulting us if you have more questions.

## 订货须知 ORDERING INFORMATION

代号 Code	材料 Material	适用温度(°C)Applicable Temperature
F	增强聚四氟乙烯 Reinforced Polytetrafluoroethylene(PTFE)	-40-180
PPL	对位聚苯 Polyparaphenylene	-40-300
N	尼龙 Nylon	-20-80
Y	硬质合金 Hard Alloy	-40-425

根据不同控制和要求可选择下列附件：

切断型附件：单电控电磁阀、双电控制电磁阀、限位开关回讯器。

调节型附件：电-气定位器、电气转换器。

气源处理附件：空气过滤减压阀、气源处理三联件。

手动机构：XLHJ 系列

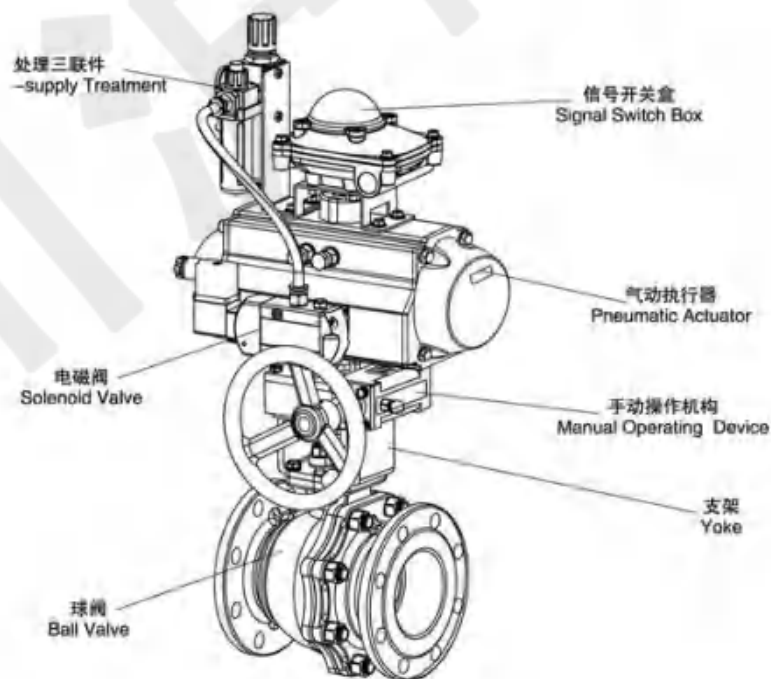
According to the different control and the request can choose the following accessories:

Shut-off Accessories: Single electrically-controlled magnetic valve. Double electrically-controlled Solenoid valve. signal saver of limit switch

Adjusting Accessories: EP/PP-positioner. electric-pneumatic converter.

Air-supply Treatment Accessories: air-filtering reducing valve. F.R.L. COMBINATION UNIT.

Manual Device: XLHJ Series







上海川沪阀门有限公司  
SHANGHAI CHUANHU VALVE CO., LTD

地址：上海市奉贤区金汇工业园金碧路 358 号  
电话：86-021-5186 3046  
传真：86-021-5186 3049  
邮箱：chvalve@126.com  
邮编：210404  
网址：<http://www.chuanhuvalve.com>

Add: Shanghai Fengxian District Jinhui Industrial Garden Jinbi Road No. 358  
Tel: 86-021-5186 3046  
Fax: 86-021-5186 3049  
Mail: chvalve@126.com  
Code: 210404  
Website: <http://www.chuanhuvalve.com>

